

Ex GLS Leadlamp

Zones: 1 and 2



Product Overview

The Wolf Ex GLS Leadlamp is a cost effective explosion proof lamp for use in many hazardous area applications. It is ideal for localised inspection and maintenance operations over extended periods.

The Ex GLS Leadlamp is ATEX compliant and approved for use in zones 1 and 2 hazardous areas, for IIA gases where a T3 temperature class permits. This gives the lamp the versatility of use in many potentially explosive atmospheres including methane, petroleum and propane.

The lamp for the Ex GLS Leadlamp is a standard 230V 60W GLS rough service ES. This gives a good ambient light, ideal for plant inspection and maintenance duties.

The Ex GLS Leadlamp light source is protected by a toughened glass dome, which is able to withstand changes in temperature, preventing the risk of failure from thermal shock. A steel cage guard with cast iron locking ring minimises the risk of direct impact damage, further protecting the glass. The guard and ring are plated to prevent corrosion. Finally, the resilient rubber construction incorporates two rubber rings on both the top and bottom of the steel guard. These are ideal for absorbing the general impact expected from industrial use.

User benefits in operating the Leadlamp include a rubber handle for enhanced grip, a convenient retractable hook incorporated in the steel guard by which the handlamp can be hung, and a weight of just over 2Kg.

The Ex GLS Leadlamp is sealed to IP54, protecting against the ingress of dust and rendering the enclosure weatherproof. It is supplied fitted with 10 metres of cable, but is supplied without a lamp.

Features & Benefits

- ATEX approval for use in zones 1 & 2 explosive atmospheres
- Uses standard 60 watt GLS rough service ES lamps
- Robust construction with rubber handle and impact ring
- Toughened glass cover with steel cage
- Cast iron locking ring
- Convenient integral hanging hook
- Ingress protection to IP54
- Supplied, fitted with cable

Certifications

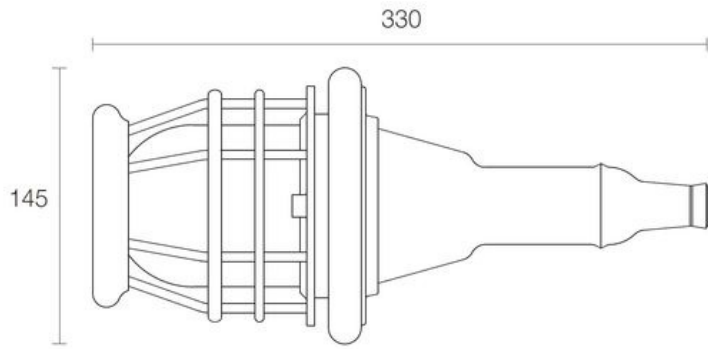


Technical Specification

Product Reference	LL-01A10	
Product Description	Explosion Proof Handheld Leadlamp 439/GK	
Code	II 2 G EEx d e IIA T3	
Equipment Category	2 G	
Type of Protection	"d" flameproof, "e" increased safety	
Area of Classification (Gas)	Zones 1 and 2, Gas Groups IIA	
Temp. Classification (Gas)	T3	
Ambient Temperature	-20 °C to +40 °C	
Certificate	IBExU03ATEX1018X	
Enclosure	Rubber with steel guard and cast iron lock ring	
Lens	Moulded glass, toughened and resistant to thermal shock	
Light Source:	Part Number	LL-436
	Type	GLS Rough Service ES Lamp
	Volts	230v
	Watts	60w
	Beam	360°
Power Source:	Insulation	Class II
	Voltage	230Vac/dc
Ingress Protection	IP54 minimum	
Weight	2.1kg (excluding cable)	

- All information has been gathered under laboratory conditions, the user must regard the values given as approximate.
- Changes may be made to the above specification without notification, details are available on request.

Product Dimensions



Version: SL032 Issue 2



Wolf Safety Lamp Company, Saxon Road Works, Sheffield, S8 0YA, UK

T: +44 (0) 114 255 1051

F: +44 (0) 114 255 7988

E: info@wolf-safety.co.uk

www.wolf-safety.co.uk

